

# RGB+CCT RGB CCT Mono 4 in 1 Zigbee Rotary Switch

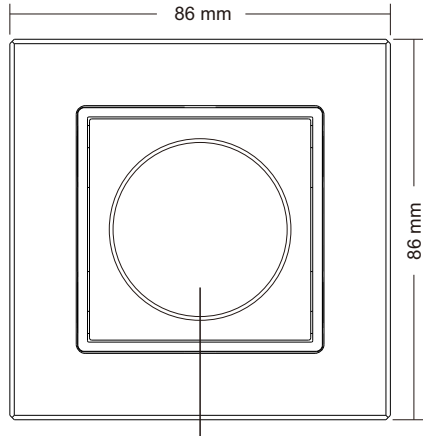
70100040



**Important:** Read All Instructions Prior to Installation

## Function introduction

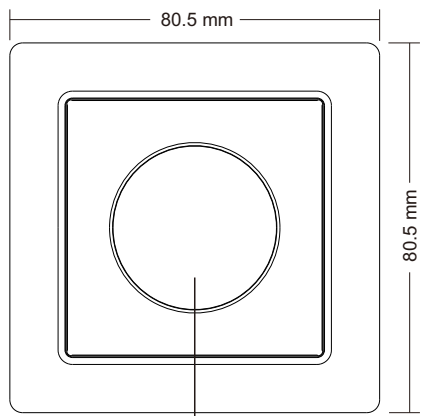
### With Glass Frame



Click the rotary knob to switch ON/OFF paired Zigbee light devices

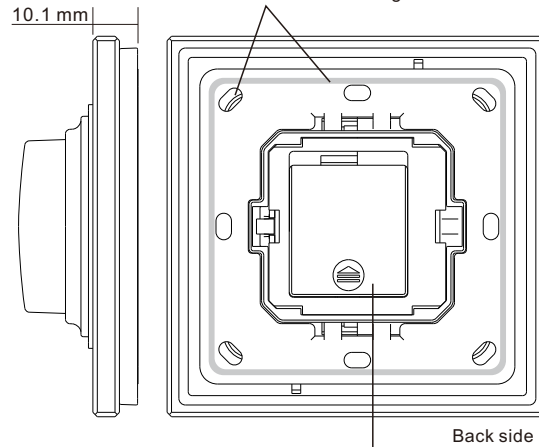
**Note:** This rotary switch supports 1 group for pairing max. 30 lighting devices.

### With Plastic Frame



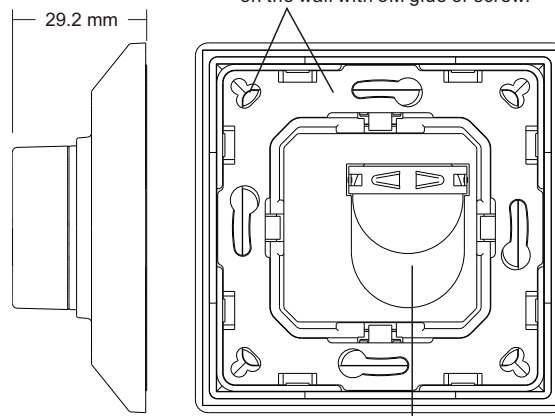
Click the rotary knob to switch ON/OFF paired Zigbee light devices

**Note:** This rotary switch supports 1 group for pairing max. 30 lighting devices.



Back side

Battery: CR2450  
Before the first use, please open the battery cover and remove the protective film

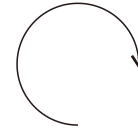


Back side

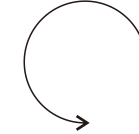
Battery: CR2450  
Before the first use, please open the battery cover and remove the protective film

## When Mono Color Mode Selected

**Rotate the knob clockwise:**  
1. Increase light intensity from 1% to 100%.



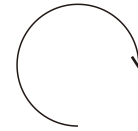
**Rotate the knob counterclockwise:**  
1. Decrease light intensity from 100% to 1%.



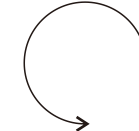
## When CCT Color Mode Selected

**Double click the knob:** switch between CCT command and brightness command.  
Each time when switched on, the switch will send brightness command when knob rotated by default.

**Rotate the knob clockwise:**  
1. Increase light intensity from 1% to 100% (brightness command).  
2. adjust color temperature from CW to WW (CCT command)



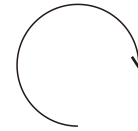
**Rotate the knob counterclockwise:**  
1. Decrease light intensity from 100% to 1% (brightness command).  
2. adjust color temperature from WW to CW (CCT command)



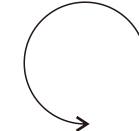
## When RGB Color Mode Selected

**Double click the knob:** switch between RGB command and brightness command.  
Each time when switched on, the switch will send brightness command when knob rotated by default.

**Rotate the knob clockwise:**  
1. Increase light intensity from 1% to 100% (brightness command).  
2. Increase hue absolute value of RGB color (RGB command)



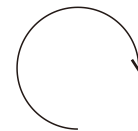
**Rotate the knob counterclockwise:**  
1. Decrease light intensity from 100% to 1% (brightness command).  
2. Decrease hue absolute value of RGB color (RGB command)



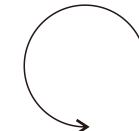
## When RGB+CCT Color Mode Selected

**Double click the knob:** switch between RGB+CCT command and brightness command.  
Each time when switched on, the switch will send brightness command when knob rotated by default.

**Rotate the knob clockwise:**  
1. Increase light intensity from 1% to 100% (brightness command).  
2. Increase hue absolute value of RGB color (1st circle) and then adjust CCT from CW to WW (2nd circle) (RGB+CCT command)



**Rotate the knob counterclockwise:**  
1. Decrease light intensity from 100% to 1% (brightness command).  
2. Decrease hue absolute value of RGB color (1st circle) and then adjust CCT from WW to CW (2nd circle) (RGB+CCT command)



## Product Data

Protocol	ZigBee 3.0
Input Voltage	3VDC (CR2450)
Transmission Frequency	2.4GHz
Transmission Range (free field)	30m
Protection Type	IP20
Dimming Range	1%-100%
Dimensions	86x86x26.9mm / 80.5x80.5x29.2mm

- ZigBee 4 in 1 rotary switch based on ZigBee 3.0
- Battery powered switch with low power consumption
- Enables to pair ZigBee lighting devices via touchlink commissioning without gateway
- Supports 1 group for pairing max. 30 lighting devices
- 2.4 GHz global operation
- Transmission range up to 30m
- Compatible with universal ZigBee Gateway products
- Enables to pair and control universal Mono, CCT, RGB, RGBW and RGB+CCT zigbee light devices

## Safety & Warnings

- DO NOT install with power applied to the device.
- DO NOT expose the device to moisture.

## ZigBee Clusters Supported by This Remote Are As Follows:

### Input clusters:

- Basic
- Power Configuration
- Identify
- Diagnostics

### Output clusters:

- Identify
- On/off
- Level control
- Ota
- Color control

## Operation

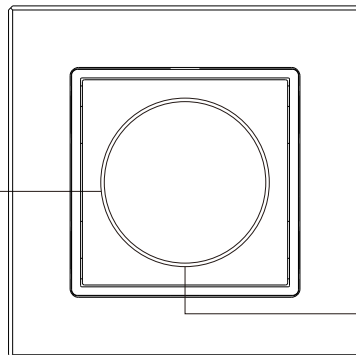
1. This ZigBee rotary switch is a wireless transmitter that communicates with a variety of ZigBee compatible systems. This transmitter sends wireless radio signals that are used to remotely control a compatible system.

2. This ZigBee remote supports 1 group for pairing lighting devices and enables to control Mono, CCT, RGB, RGBW and RGB+CCT ZigBee lighting devices.

### 3. Zigbee Network Pairing through Gateway or Hub (Added to a Zigbee Network)

**Step 1:** Remove the switch from previous Zigbee network if it has already been added to it, otherwise pairing will fail. Please refer to the part "Factory Reset Manually".

**Step 4:** Within 2 seconds after step 3, press and hold the knob for over 3 seconds, indicator flashes every 1 second, 60 seconds timeout if there is no network. Indicator will then blink 5 times quickly for successful pairing.



**Step 2:** From your zigbee controller or hub interface, choose to add device or accessory and enter Pairing mode as instructed by the controller.

**Step 3:** Short press the knob 5 times continuously.

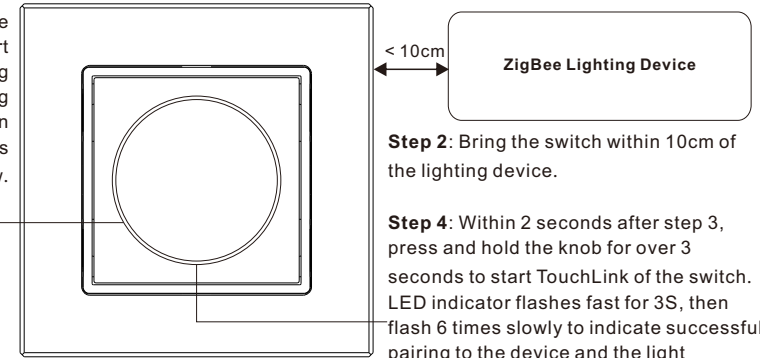
**Note:** 1) After pairing successfully, the switch information will appear on the controller or hub interface.

2) No remote information will appear on the hub interface if pairing to some Zigbee hubs.

### 4. TouchLink to a Zigbee Lighting Device

**Step 1:** Set the zigbee lighting device to start TouchLink commissioning (normally by short pressing the "Prog." or "Reset" button 4 times), please refer to its manual to learn how.

**Step 3:** Short press the knob 3 times continuously.



**Step 2:** Bring the switch within 10cm of the lighting device.

**Step 4:** Within 2 seconds after step 3, press and hold the knob for over 3 seconds to start TouchLink of the switch. LED indicator flashes fast for 3S, then flash 6 times slowly to indicate successful pairing to the device and the light connected to the device will blink twice.

**Note:** 1) Directly TouchLink (both not added to a ZigBee network), please first factory reset both the switch (only need to reset when touchlink with 1st device) and device, each switch can link with max. 30 devices, please make sure the first linked device is always powered on when touchlink the switch with 2nd device and more devices.

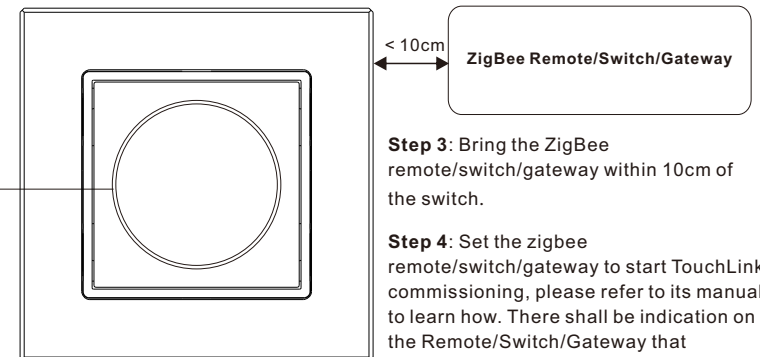
2) TouchLink after both added to a ZigBee network, each device can link with max. 30 switches.

3) To control by both switch and hub, add both switch and device to network first then TouchLink, after TouchLink, the device can be controlled by the linked switches and Zigbee hub together.

### 5. TouchLinked by a Zigbee Remote/Switch/Gateway

**Step 1:** Short press the knob 4 times continuously.

**Step 2:** Within 2 seconds after step 1, press and hold the knob for over 3 seconds to start passive TouchLink of the switch.

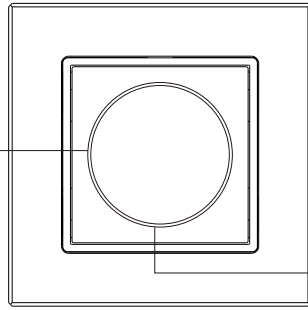


**Step 3:** Bring the ZigBee remote/switch/gateway within 10cm of the switch.

**Step 4:** Set the zigbee remote/switch/gateway to start TouchLink commissioning, please refer to its manual to learn how. There shall be indication on the Remote/Switch/Gateway that touchlink is successful.

## 6. Factory Reset the Switch

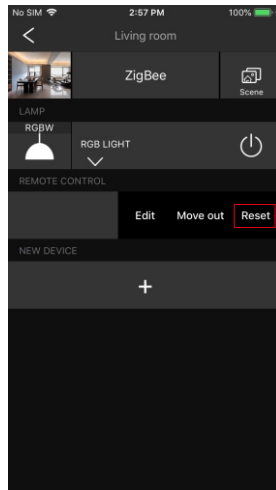
**Step 2:** Within 2 seconds after step 1, press and hold the knob for over 3 seconds, indicator will flash 3 times for successful reset.



**Step 1:** Short press the knob 5 times continuously and quickly.

**Note:** 1) All configuration parameters will be reset after the switch is reset or removed from the network.  
2) Once reset successfully, the switch will be set into network pairing mode automatically.

## 7. Removed from a ZigBee Network through Coordinator or Hub Interface



From your ZigBee controller or hub interface, choose to delete or reset the remote as instructed, indicator flashes 3 times quickly to indicate successful removing.

## 8. Select a Color Mode (depends on the color type of the light devices the switch paired to)

**Step 1:** Press and hold the knob for over 3 seconds, LED indicator turns on and stays solid on, release the knob.

**Step 2:** Keep short pressing the knob within 5 seconds to get different color modes one by one, LED indicator status will be different for each short press to indicate different color modes. The indicator status for different color modes are as follows:

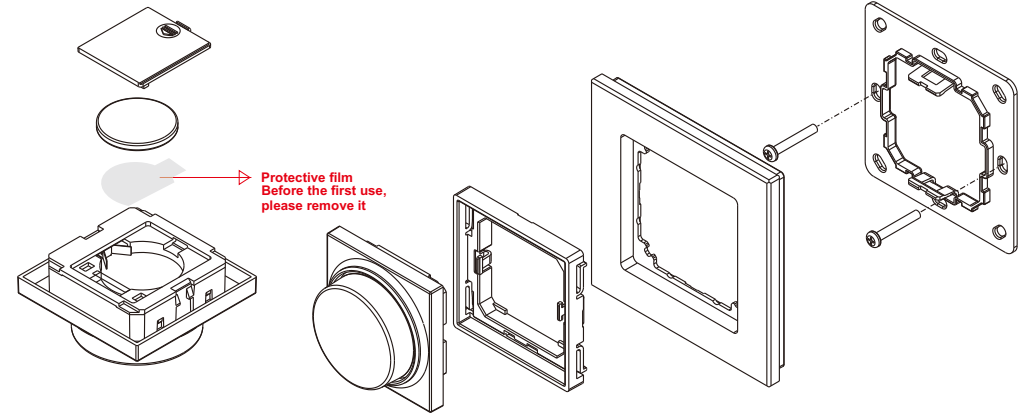
- 1) **Mono color mode:** indicator keeps blinking with the frequency of twice per second, only Dim command will be sent when rotate the knob.
- 2) **CCT color mode:** indicator keeps blinking with the frequency as follows: blinks for 1 second (twice per second) and stops blinking for 1 second, then blinks for 1 second (twice per second) and stops blinking for 1 second again ....., color temperature command will be sent when rotate the knob.
- 3) **RGB color mode:** indicator keeps blinking with the frequency as follows: blinks for 1.5 seconds (3 times per 1.5 seconds) and stops blinking for 1 second, then blinks for 1.5 seconds (3 times per 1.5 seconds) and stops blinking for 1 second again ....., RGB color control command will be sent when rotate the knob.
- 4) **RGB+CCT color mode:** indicator keeps blinking with the frequency as follows: blinks for 2 seconds (4 times per 2 seconds) and stops blinking for 1 second, then blinks for 2 seconds (4 times per 2 seconds) and stops blinking for 1 second again ....., RGB+CCT color control command will be sent when rotate the knob.

**Step 3:** Observe the indicator status after each short press, when the desired color mode status appears, press and hold the knob for 3 seconds to confirm the selected mode.

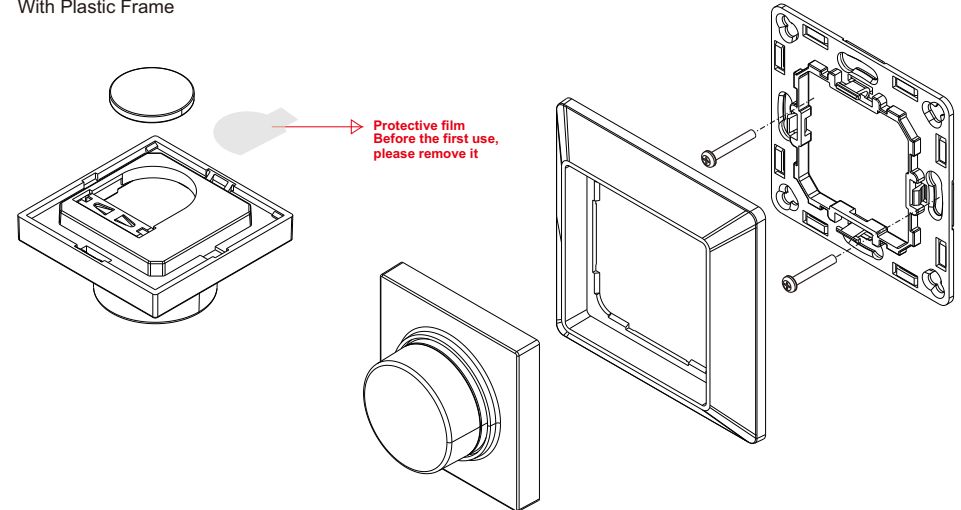
**Note:** If there is no further operations within 5 seconds after step 1, the switch will quit color mode setting automatically. Or after the fifth time short press in step 2, the indicator will stay solid on again, then press and hold the knob for 3 seconds or there is no operations within 5 seconds, the switch will quit color mode setting.

## Installation

With Glass Frame



With Plastic Frame



The key part of this controller is a universal, extremely rotary standard switch element that can be integrated in numerous frames by different manufactures as below list:

BEKER	S1, B1, B3, B7 glass
GIRA	Standard55, E2, Event, Esprit
JUNG	A500, Aplus
MERTEN	M-smart, M-Arc, M-Plan